

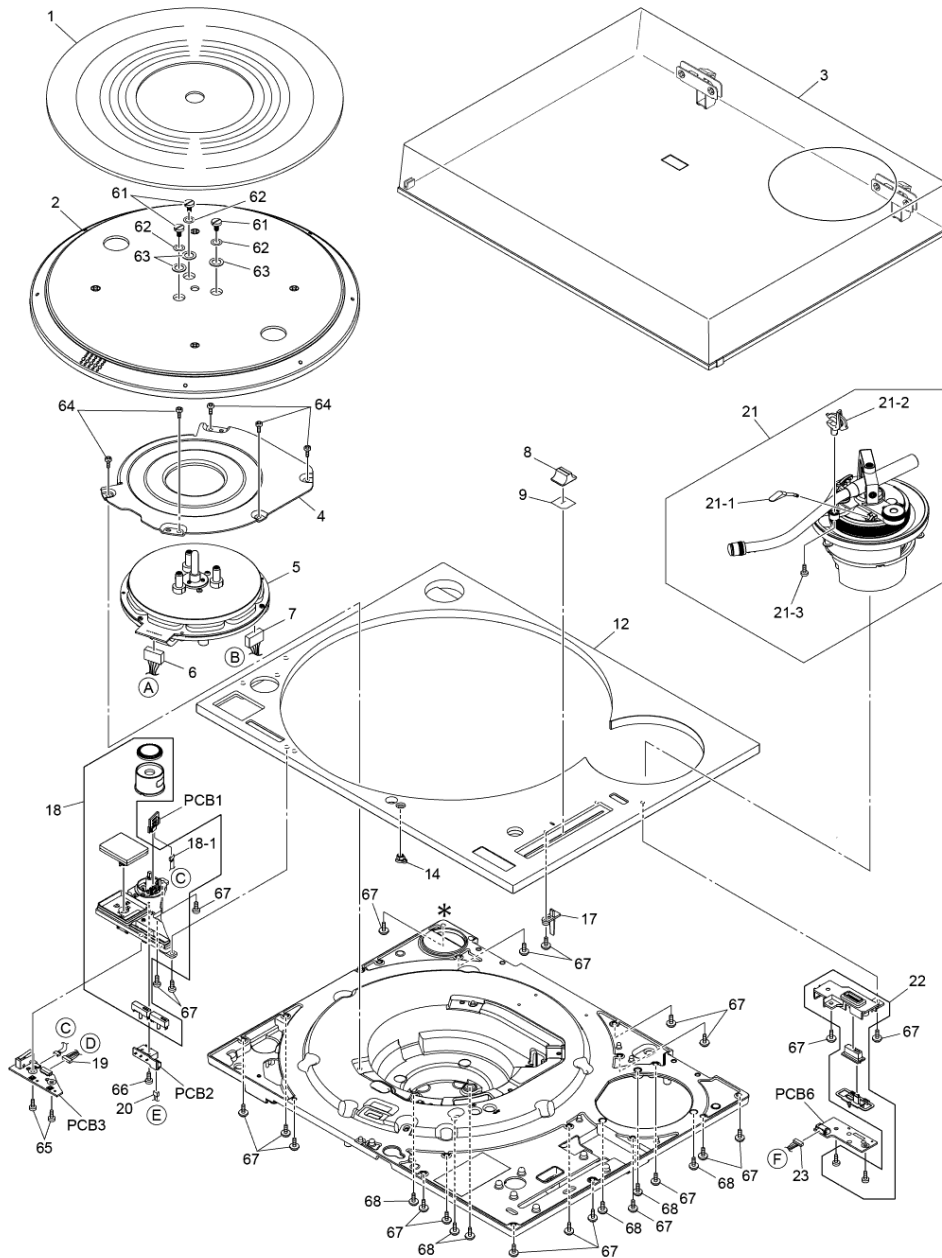
1200S.com

Visit us for all your Technics 1200 / 1210 needs...

Keeping the legend alive!

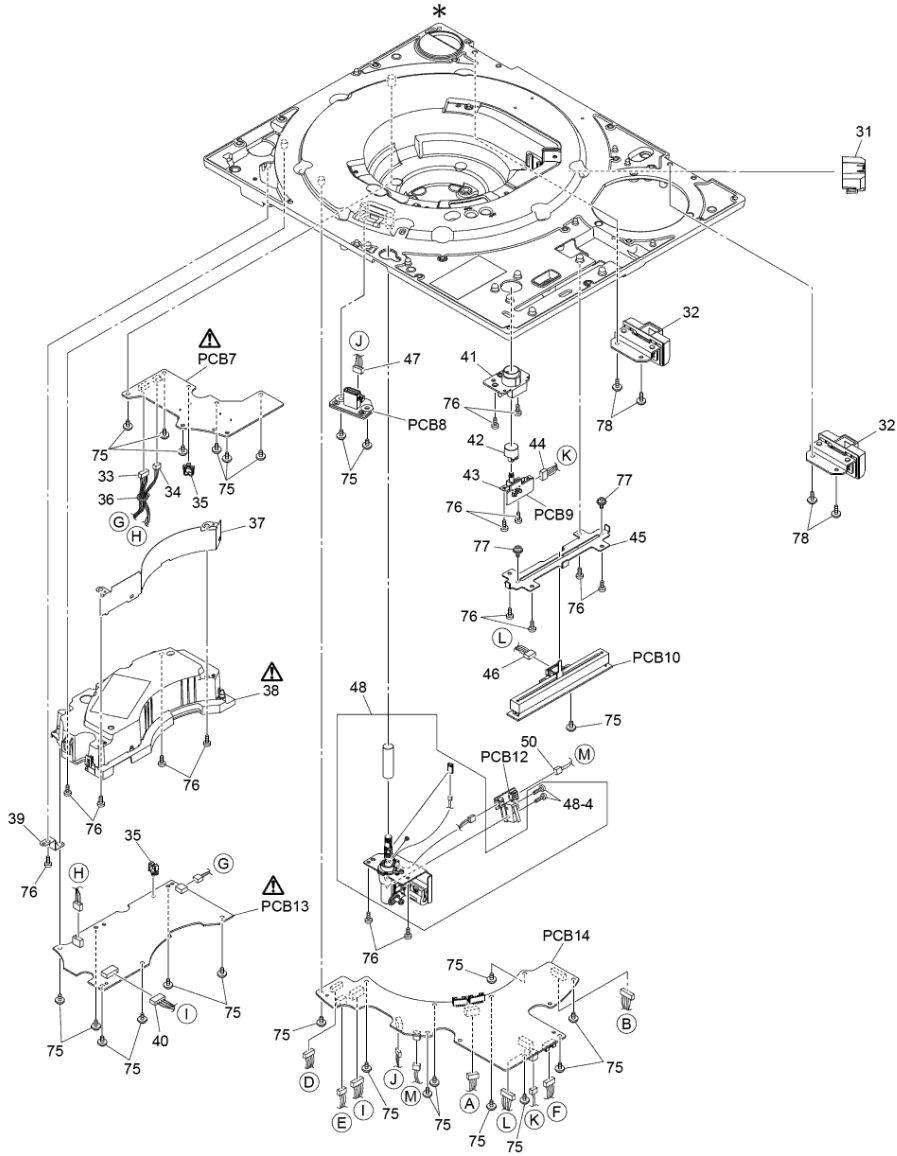
1-833-SL1200S (751-2007)

Model No. : SL-1200GAEEG /SL-1200GAEPP Exploded View 1



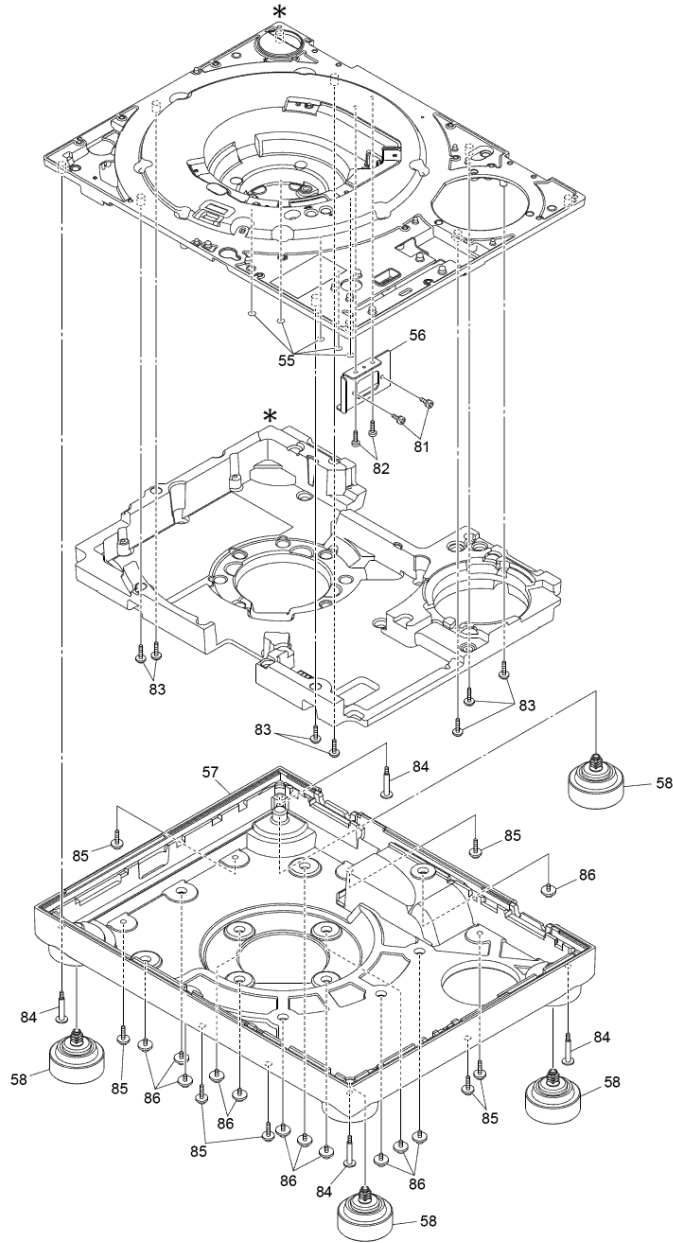
NOTE : " *" PARTS IS NOT SUPPLIED / REF IS FOR INDICATION ONLY

Model No. : SL-1200GAEEG /SL-1200GAEPP Exploded View 2



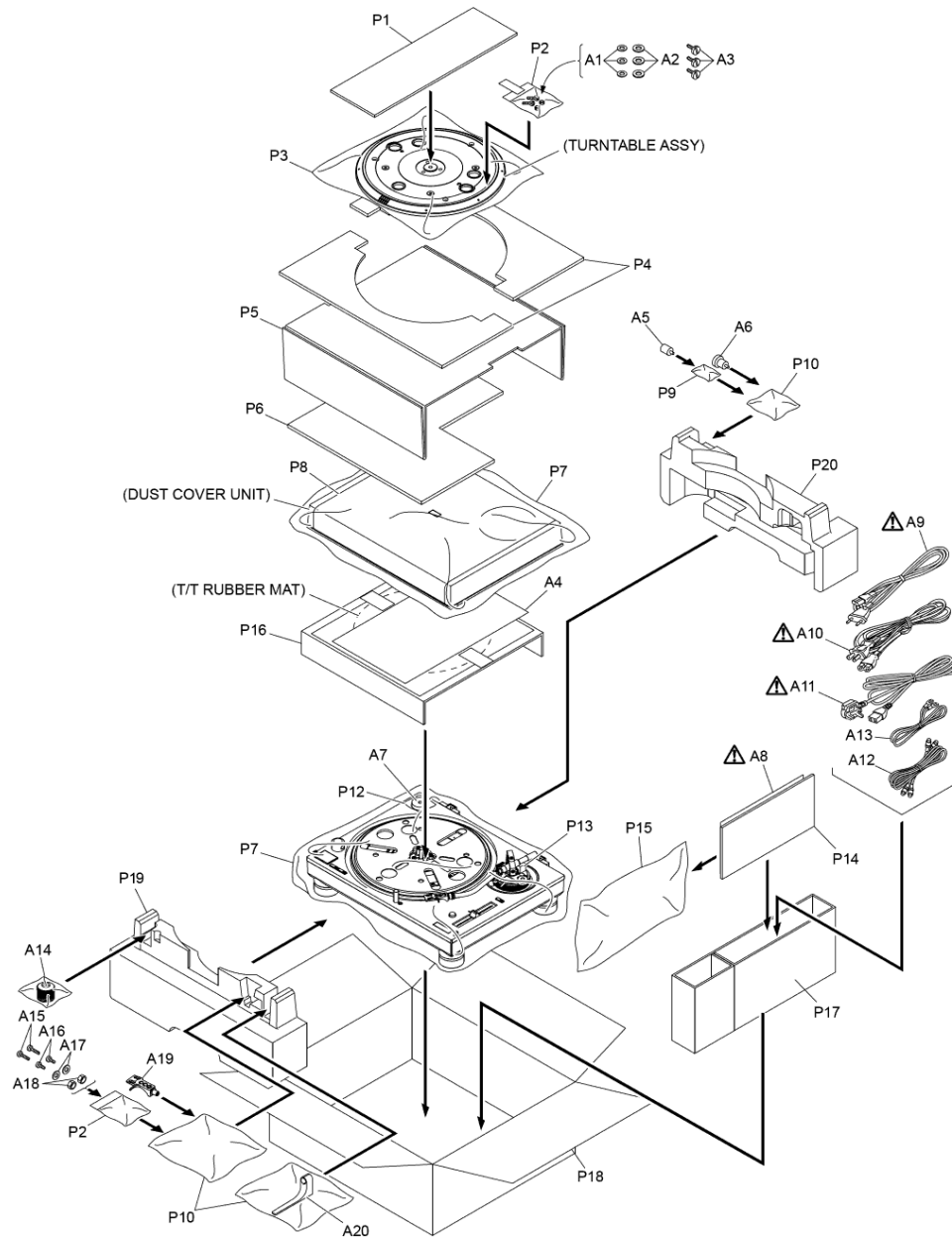
NOTE : * PARTS IS NOT SUPPLIED / REF IS FOR INDICATION ONLY

Model No. : SL-1200GAEEG /SL-1200GAEPP Exploded View 3






NOTE : " *" PARTS IS NOT SUPPLIED / REF IS FOR INDICATION ONLY

Model No. : SL-1200GAEEG /SL-1200GAEPP Packing



Model No. : SL-1200GAEEG /SL-1200GAEPP Parts List

Change	Safe	Ref.No.	Part No.	Part Name & Description	Quantity	Remarks
		PCB1	REP5330AC	STROBE PCB	1	E.S.D.
		PCB2	REP5330AF	SW PCB	1	E.S.D.
		PCB3	REP5330AA	PANEL PCB	1	E.S.D.
		PCB6	REP5330AG	RANGE PCB	1	E.S.D.
		PCB7	REP5328AA	AC IN PCB	1	E.S.D.
		PCB8	REP5330AJ	USB CN PCB	1	E.S.D.
		PCB9	REP5330AE	RESET PCB	1	E.S.D.
		PCB10	REP5330AB	PITCH PCB	1	E.S.D.
		PCB12	REP5330AD	STYLUS SW PCB	1	E.S.D.
		PCB13	REP5328AB	SMPS PCB	1	E.S.D.
		PCB14	REP5329A	MAIN PCB	1	E.S.D.
		1	RGS0008	T/T RUBBER MAT	1	
		2	RYQ1618-X	TURNTABLE UNIT	1	
		3	RYF1035-Q	DUST COVER UNIT	1	
		4	RG00286-S1	MOTOR SHIELD PLATE	1	
		5	TYL0006	DC MOTOR UNIT	1	
		6	REX1939	4P WIRE UNIT (ENCODER TO MAIN)	1	
		7	REX1941	9P WIRE UNIT (MOTOR TO MAIN)	1	
		8	RGW0467-S	PITCH KNOB	1	
		9	RMQ2526	PITCH KNOB SPACER	1	
		12	TYL0014	TOP AL PANEL UNIT	1	
		14	RMQ2533	TYLUS SHAFT GUIDE	1	
		17	RGL0836-Q	PITCH LED LIGHT GUIDE	1	
		18	RYQ1610-S	OPERATION UNIT	1	
		18-1	REX1948	5P WIRE UNIT (STROBE TO PANEL)	1	
		19	REX1942	11P WIRE UNIT (PANEL TO MAIN)	1	
		20	REX1944	2P WIRE UNIT (SW TO MAIN)	1	
		21	RAC0006	tone ARM UNIT	1	
		21-1	RMH0241	QUEUING KNOB	1	
		21-2	RYQ1630-K	ARMREST UNIT	1	
		21-3	XTB3+8JFJK	SCREW	1	
		22	RYQ1615-S	RANGE BUTTON UNIT	1	
		23	REX1945	5P WIRE UNIT (RANGE BUTTON TO MAIN)	1	
		61	RHD40060	TURNTABLE FIXATION SCREW	3	
		62	RGQ0907-S	M4 WASHER	3	
		63	RGQ0908-S	DISK SPRING	3	
		64	XTB3+8JFJ	SCREW	5	
		65	XTB3+8JFJK	SCREW	2	
		66	XTN2+10JFJ	SCREW	1	
		67	XYN3+F10FJK	SCREW	22	
		68	RHD30248	SCREW	6	
		31	RMQ2532	MOTOR CONN HOLDER	1	
		32	RYQ1617-K	HINGE PLATE UNIT	2	
		33	TXJ/P1AD1E	2P WIRE UNIT B (AC-INLET TO SMPS)	1	
		34	REX1938	2P WIRE UNIT A (AC-INLET TO SMPS)	1	
		35	TMME268	CLAMPER	2	
		36	RMQ2405	VINYL TIE	1	
		37	RMQ2534	SMPS SHIELD	1	
		38	TYL0015	SMPS HOLDER UNIT	1	
		39	RMQ2535	SMPS EARTH PLATE	1	
		40	REX1947	7P WIRE UNIT (SMPS TO MAIN)	1	
		41	RGQ0892-K	RESET BUTTON ORNAMENT	1	
		42	RGU3007-S	RESET BUTTON	1	
		43	RMN1135	RESET SW HOLDER	1	
		44	REX1946	3P WIRE UNIT (RESET BUTTON TO MAIN)	1	
		45	RMN1134	SLIDE SW PLATE	1	
		46	REX1943	6P WIRE UNIT (PITCH CONTROL TO MAIN)	1	

Model No. : SL-1200GAEEG /SL-1200GAEPP Parts List

Change	Safe	Ref.No.	Part No.	Part Name & Description	Quantity	Remarks
		47	REX1950	4P WIRE UNIT (USB TO MAIN)	1	
		48	TYL0016	STYLUS LIGHT UNIT (WITH LED PCB)	1	
		48-4	XSN2+10FJ	SCREW	2	
		50	REX1940	2P WIRE UNIT (MAIN TO STYLUS SW)	1	
		75	RHD30111-31	SCREW	24	
		76	XTB3+8JFJK	SCREW	15	
		77	RHD30225	SCREW	2	
		78	XYN3+F10FJK	SCREW	4	
		55	RMQ2573	SCREW COVER	5	
		56	RG0285-K	AC HOLDER PLATE	1	
		57	RGP1749-K	BOTTOM COVER	1	EG
		57	RGP1749A-K	BOTTOM COVER	1	PP
		58	RKA0352-S	INSULATOR UNIT	4	
		81	XYN3+C8FJK	SCREW	2	
		82	XTB3+8JFJK	SCREW	2	
		83	RHD30250	SCREW	7	
		84	RHD30247	SCREW	4	
		85	RHD40059	SCREW	7	
		86	RHD30245	SCREW	12	
		A1	RG00908-S	DISK SPRING	3	
		A2	RG00907-S	M4 WASHER	3	
		A3	RHD40060	TURNTABLE FIXATION SCREW	3	
		A4	TQBM7001-1	CABLE CONNECTION REAFLET	1	EG
		A4	TQBM7002-1	CABLE CONNECTION REAFLET	1	PP
		A5	TPAKK61	SUB WEIGHTA	1	
		A6	TPAKK62	SUB WEIGHTB	1	
		A7	RMX0551	EP ADAPTER	1	
	⚠	A8	SQT1086-1	OI (GERMAN)	1	EG
	⚠	A8	SQT1087-1	OI (ENGLISH/CANADIAN FRENCH)	1	PP
	⚠	A9	K2CS3YY00033	PLUGS WITH CABLE AC POWER SOURCE	1	EG
	⚠	A10	K2CM3YY00041	PLUGS WITH CABLE AC POWER SOURCE	1	EG
	⚠	A10	K2CG3YY00191	PLUGS WITH CABLE AC POWER SOURCE	1	PP
	⚠	A11	K2CT3YY00081	PLUGS WITH CABLE AC POWER SOURCE	1	EG
		A12	K2KYYYY00257	PHONO CABLE	1	
		A13	K4EY1YY00160	EARTH CABLE	1	
		A14	RXQ2316	BALANCE WEIGHT UNIT	1	
		A15	RHD26080	CARTRIDGE SCREW 14.5	2	
		A16	RHD26079	CARTRIDGE SCREW 6.5	2	
		A17	RHW26013	CARTRIDGE WASHER	2	
		A18	RHN26006	CARTRIDGE NUT	2	
		A19	RFA3670	SHELL UNIT	1	
		A20	RMR2210-W	OVERHANG GAUGE	1	
		P1	SPQ0067	TOP PAD	1	
		P2	VPF1016	POLY BAG	2	
		P3	SPF0031	PROTECT BAG	1	
		P4	SPN0518	TT CUSHION	2	
		P5	SPQ0049	TOP COVER PAD	1	
		P6	SPN0476	TOP COVER CUSHION	1	
		P7	SPF0070	PE BAG	2	
		P8	SPH0024	PROTECTION SHEET	1	
		P9	SPF0067	PE BAG A	1	
		P10	SPF0068	PE BAG B	3	
		P19	SPN0469A-1	CUSHION(FRONT)	1	
		P20	SPN0469B-1	CUSHION(REAR)	1	
		P12	SPH0023	PROTECTION SHEET	1	
		P13	RPQ0608	TONARM PAD	1	

Model No. : SL-1200GAEEG /SL-1200GAEPP Parts List

Change	Safe	Ref.No.	Part No.	Part Name & Description	Quantity	Remarks
		P14	RPQ2632	PAD	1	
		P15	RPF0687	PE BAG C	1	
		P16	SPQ0050	TT HOLD PAD A	1	
		P17	SPQ0057	ACCESSORIES PAD	1	
		P18	SPG0716-1	PACKING CASE	1	EG
		P18	SPG0718	PACKING CASE	1	PP