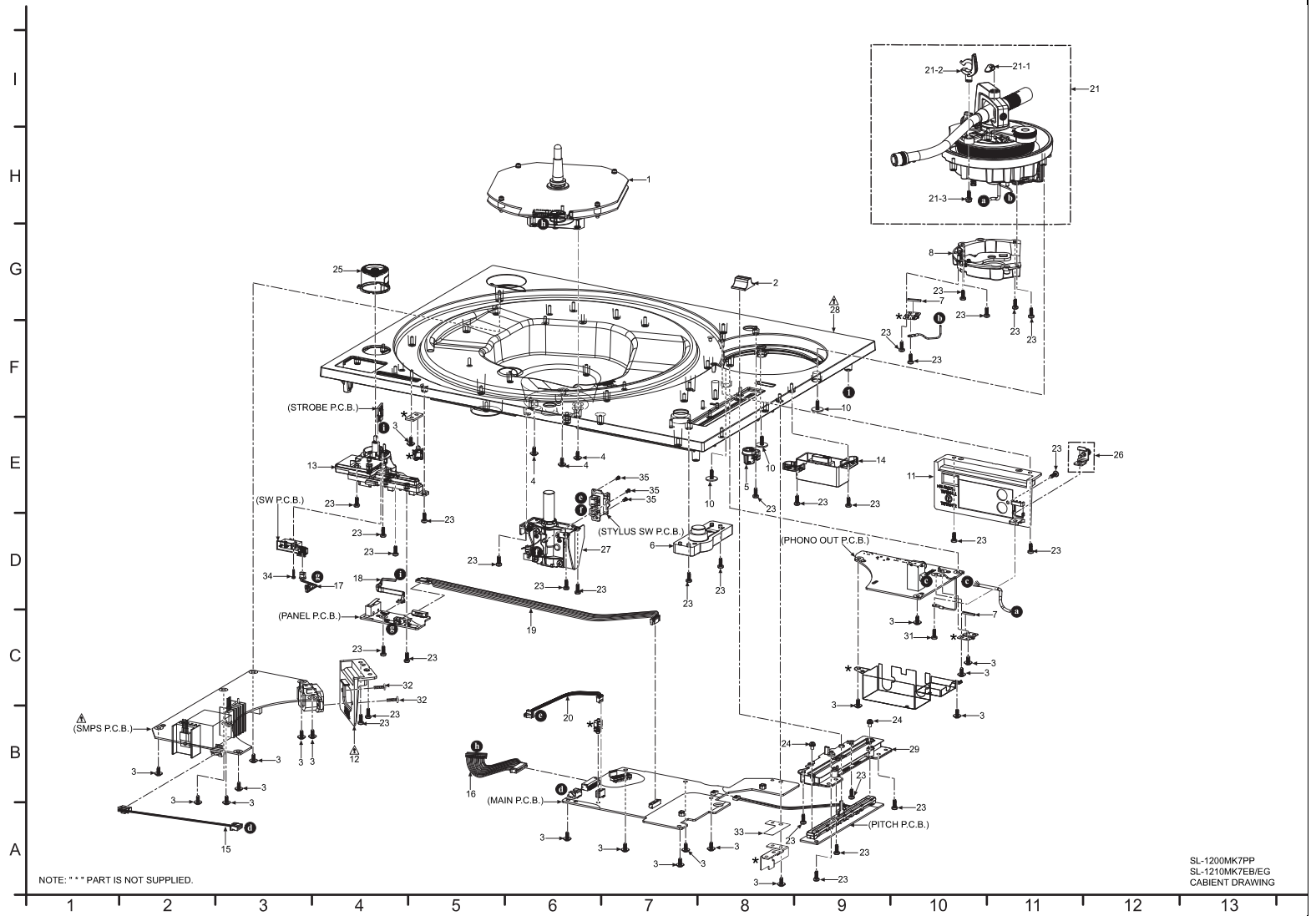


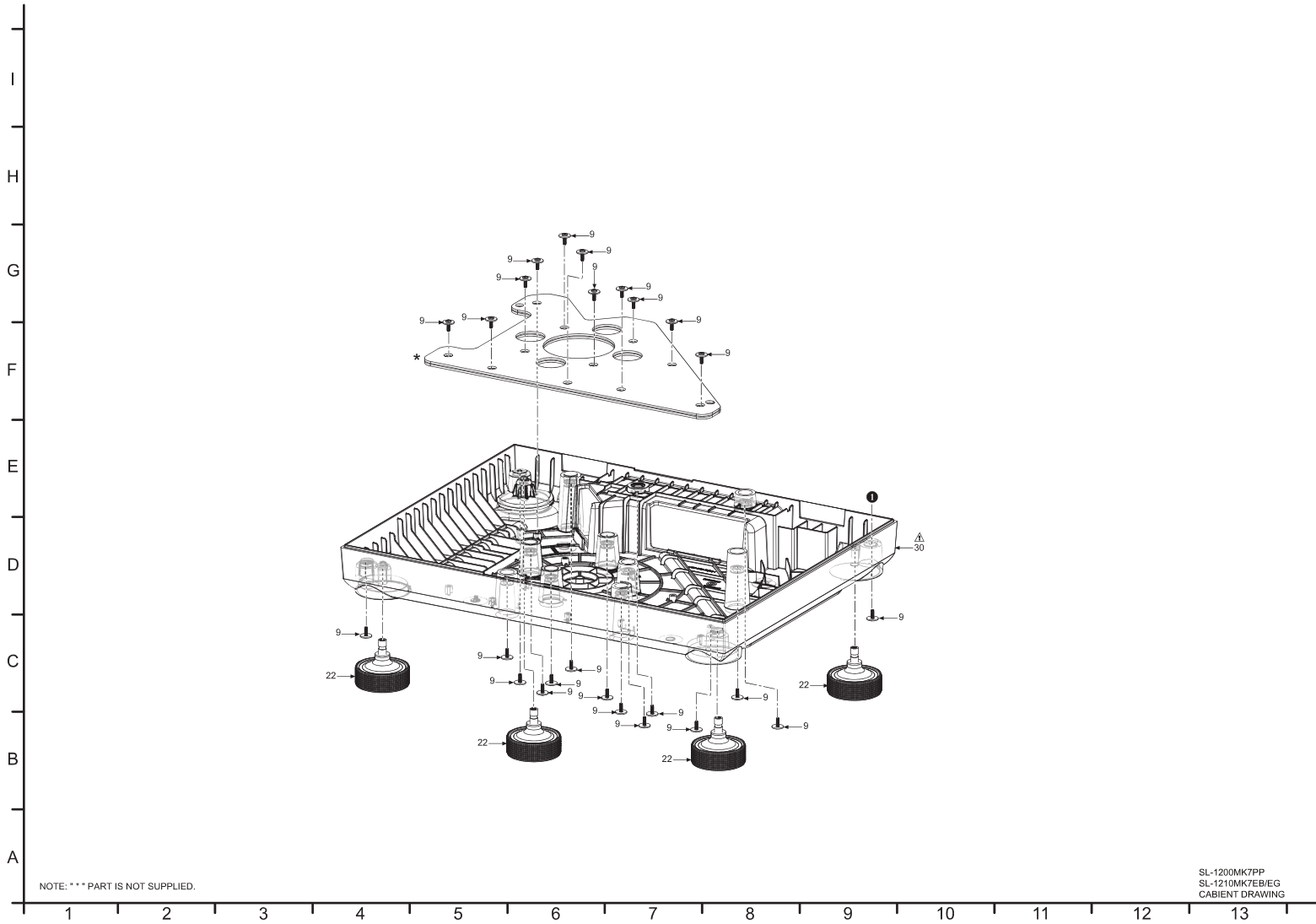
1200S.com

Visit us for all your Technics 1200 / 1210 needs...

Keeping the legend alive!

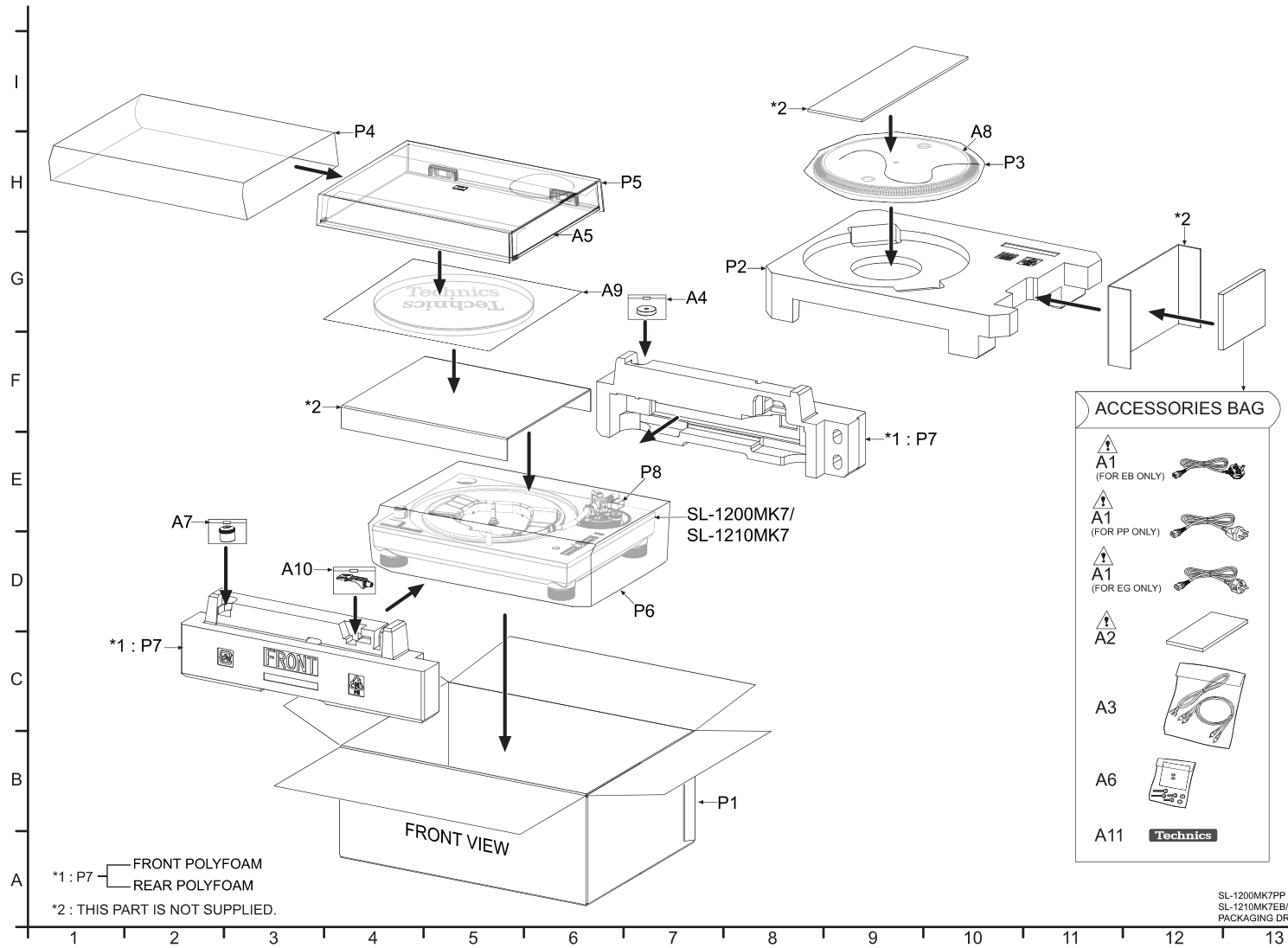
1-833-SL1200S (751-2007)





NOTE: *** PART IS NOT SUPPLIED.


SL-1200MK7PP
SL-1210MK7EB/EG
CABINET DRAWING



Model No. : SL-1200MK7PP, SL-1210MK7EB, SL-1210MK7EG Parts List

Change	Safety	Ref. No.	Part No.	Part Name & Description	Q'ty	Remarks
CABINET AND CHASSIS						
		1	L6ZYJ000004	DC MOTORS	1	
		2	RGW0467A-S1	PITCH KNOB	1	
		3	RHD30111-31	SCREW M3 X 6 FLANGED HEAD	19	
		4	RHD30248	SCREW	3	
		5	RMR2192-S	SHELL STAND	1	
		6	TZTBX01BC3E	RESET BUTTON ASS'Y	1	
		7	TEFX5020	ARM WIRE CUSHION	2	
		8	TEKX119	TO NEARM COVER	1	
		9	THTF021J	SPECIAL SCREW	25	
		10	THTF024N	SCREW	3	
		11	TKFE46401	JACK HOLDER	1	
	▲	12	TKFE46501	AC HOLDER	1	
		13	TTD0006	OPERATION UNIT	1	
		14	TTD0007	RANGE BUTTON UNIT	1	
		15	TXJ//5BC5E	5PIN WIRE (SMPS-MAIN)	1	
		16	TXJ/11BC5E	11PIN WIRE (MOTOR -MAIN)	1	
		17	TXJ002BC5E	2PIN WIRE (SW -PANEL)	1	
		18	TXJ005BC5E	5PIN WIRE (STROBE -PANEL)	1	
		19	TXJ011BC5E	11PIN WIRE (MAIN -PANEL)	1	
		20	TXJA02BC5E	2PIN WIRE (MAIN-STYLUS)	1	
		21	TXP0100	TO NEARM ALL ASSY	1	
		21-1	RMH0241-K1	QUEUING KNOB	1	
		21-2	RYQ1630-K1	ARMREST ASSY	1	
		21-3	TZSM04009	ARM REST SCREW KIT	1	
		22	TYL0296	INSULATOR UNIT	4	
		23	XTB3+8JFJK	SCREW	30	
		24	XYN3+J5FJK	SCREW	2	
		25	TZTKK01BC3E	POWER SW KNOB KIT	1	
		26	TZTKF01BC3E	GROUND PLATE WITH TERMINAL	1	
		27	TZTNP01BC3E	STYLUS LIGHT UNIT ASS'Y	1	
	▲	28	TZTKF02BC3E	TOP PANEL ASS'Y	1	EB EG
	▲	28	TZTKF01AH9U	TOP PANEL ASS'Y	1	PP
		29	TZTBV01BC3E	PITCH SLIDER UNIT ASS'Y	1	
	▲	30	TZTKF03BC3E	BOTTOM CABINET ASS'Y	1	EB EG
	▲	30	TZTKF02AH9U	BOTTOM CABINET ASS'Y	1	PP
		31	XTB3+8JFJ	SCREW	1	
		32	XYN3+C8FJK	SCREW	2	
		33	TKKX51601	PROTECT SHEET	1	
		34	XTN2+10JFJ	SCREW	1	
		35	XQN2+BJ5FJ	SCREW	3	
PACKING MATERIALS						
		P1	TPCE30201	PACKING CASE	1	EB
		P1	TPCE30101	PACKING CASE	1	EG
		P1	TPCE30301	PACKING CASE	1	PP
		P2	TPDA34201	TOP CUSHION	1	
		P3	TPEH964-1	PE BAG (450X550MM)	1	
		P4	TPEH965-1	PE BAG (600X600MM)	1	
		P5	TPEH966	PROTECTION SHEET (450X750MM)	1	
		P6	TPEH980	PE BAG (MIRAMAT 600X500)	1	
		P7	TPH0284	CUSHION UNIT	1	
		P8	TPDA34211	PICK UP CUSHION	1	
ACCESSORIES						
	▲	A1	K2CT3YY00096	AC CORD	1	EB
	▲	A1	K2CG3YY00219	AC CORD	1	PP
	▲	A1	K2CM3YY00055	AC CORD	1	EG
	▲	A2	TQBM0410	OI (En/Cf)	1	PP
	▲	A2	TQBM0411	OI (En/Ge/Fr/It/Sp/Da/Du/Sw/Fi/Po)	1	EG
	▲	A2	TQBM0412	OI (En)	1	EB
		A3	TAQ0036	SIGNAL AND GND CABLE ASSY	1	
		A4	TPH0339	EP ADAPTER UNIT BLACK	1	

Model No. : SL-1200MK7PP, SL-1210MK7EB, SL-1210MK7EG Parts List

Change	Safety	Ref. No.	Part No.	Part Name & Description	Q'ty	Remarks
		A5	TTFA0454	DUST COVER UNIT	1	
		A6	TTV0022	CARTRIGE SCREW SET	1	
		A7	TYL0295	BALANCE WEIGHT ASSY	1	
		A8	TYL0332	TURNTABLE ASSY	1	EB EG
		A8	TYL0333	TURNTABLE ASSY	1	PP
		A9	TYL0330	SLIP MAT ASS'Y	1	
		A10	TYL0331	SHELL ASS'Y	1	
		A11	TBMA7331	TECHNICS LABEL	1	
PRINTED CIRCUIT BOARDS						
		PCB1	TNPA7005AA	MAIN P.C.B.	1	
PRINTED CIRCUIT BOARDS						
		PCB2	TNPA7007AA	STYLUS SW P.C.B.	1	
PRINTED CIRCUIT BOARDS						
		PCB3	TNPA7008AA	STROBE P.C.B.	1	
PRINTED CIRCUIT BOARDS						
		PCB4	TNPA7009AA	SW P.C.B.	1	
PRINTED CIRCUIT BOARDS						
		PCB5	TNPA7010AA	PANEL P.C.B.	1	
PRINTED CIRCUIT BOARDS						
		PCB6	TNPA7014AA	PHONO OUT P.C.B.	1	
PRINTED CIRCUIT BOARDS						
		PCB7	TNPA7015AA	SMPS P.C.B.	1	
PRINTED CIRCUIT BOARDS						
		PCB8	TNPA7145AA	PITCH P.C.B.	1	