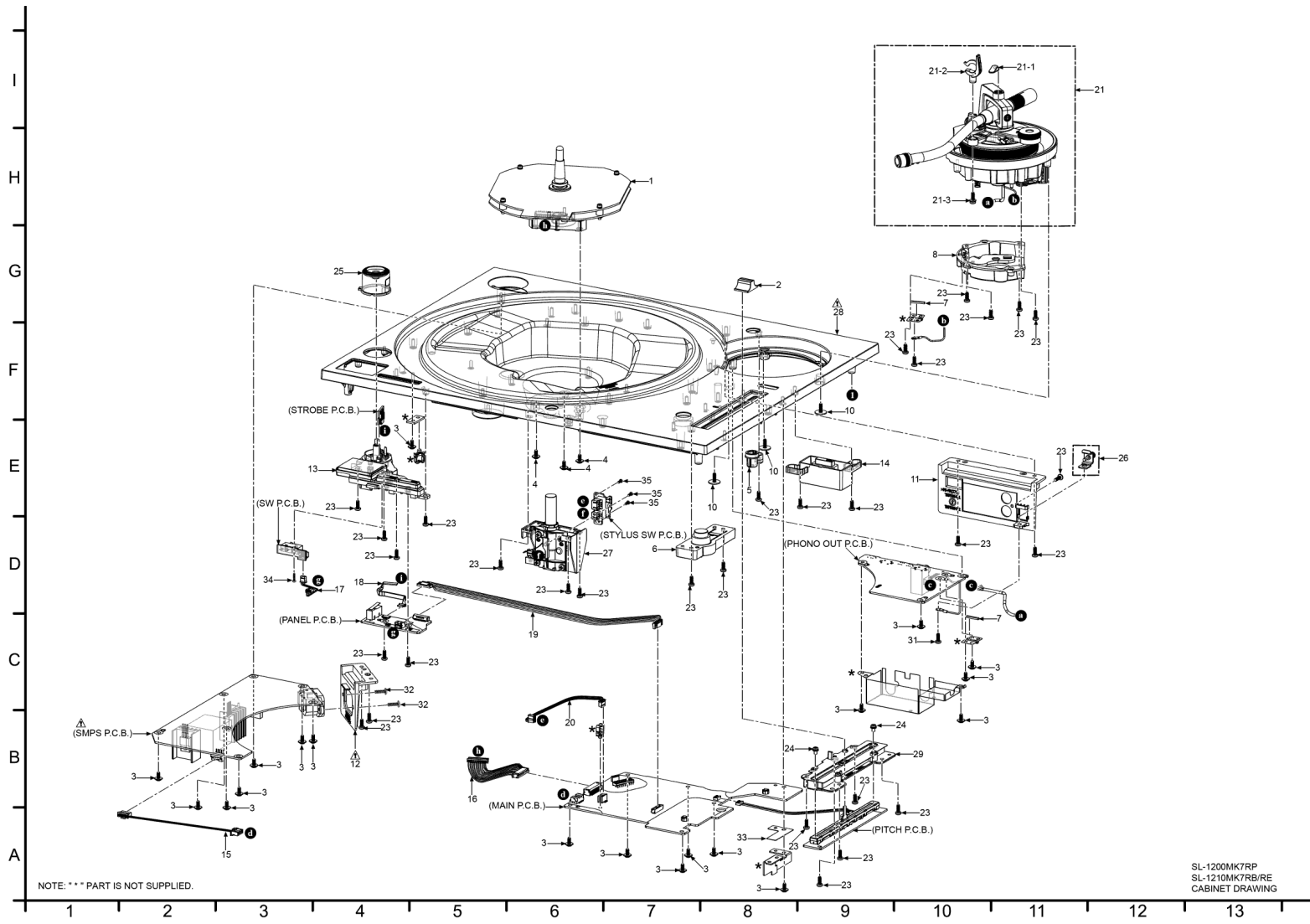


1200S.com

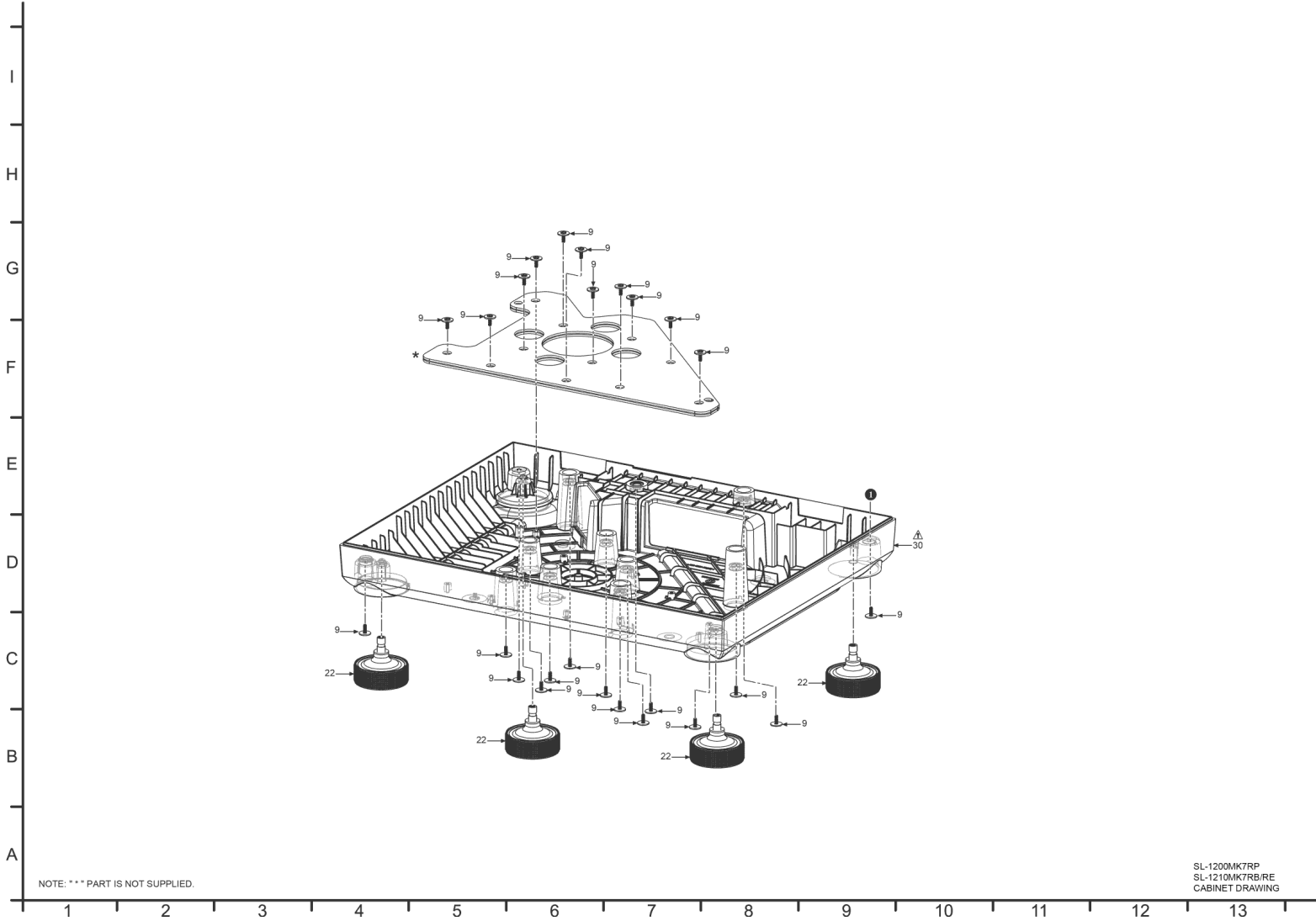
Visit us for all your Technics 1200 / 1210 needs...

Keeping the legend alive!

1-833-SL1200S (751-2007)

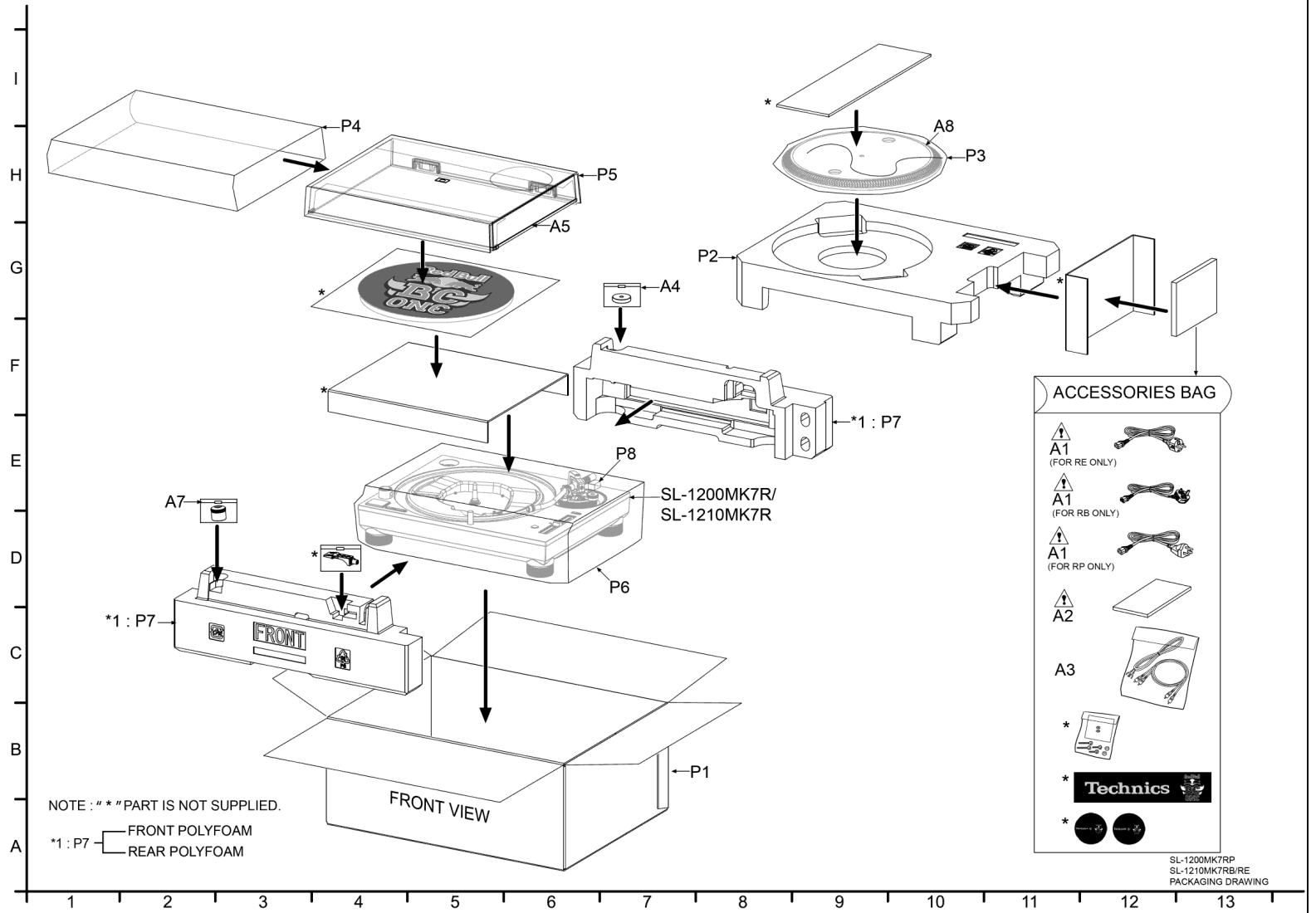


Model No. : SL-1200MK7RP SL-1210MK7RB SL-1210MK7RE Cabinet Parts Location 1



NOTE: *** PART IS NOT SUPPLIED.


SL-1200MK7RP
SL-1210MK7RB/RE
CABINET DRAWING



Model No. : SL-1200MK7RP SL-1210MK7RB SL-1210MK7RE Parts List

Change	Safety	Ref. No.	Part No.	Part Name & Description	Q'ty	Remarks
		1	L6YZYJ000004	DC MOTORS	1	
		2	RGW0467A-S1	PITCH KNOB	1	
		3	RHD30111-31	SCREW M3 X 6 FLANGED HEAD	19	
		4	RHD30248	SCREW	3	
		5	RMR2192-S	SHELL STAND	1	
		6	TZTBX01BC3E	RESET BUTTON ASS'Y	1	
		7	TEFX5020	ARM WIRE CUSHION	2	
		8	TEKX119	TONARM COVER	1	
		9	THTF021J	SPECIAL SCREW	25	
		10	THTF024N	SCREW	3	
		11	TKFE46401	JACK HOLDER	1	
	▲	12	TKFE46501	AC HOLDER	1	
		13	TTD0006	OPERATION UNIT	1	
		14	TTD0007	RANGE BUTTON UNIT	1	
		15	TXJ//5BC5E	5PIN WIRE (SMPS-MAIN)	1	
		16	TXJ/11BC5E	11PIN WIRE (MOTOR -MAIN)	1	
		17	TXJ002BC5E	2PIN WIRE (SW -PANEL)	1	
		18	TXJ005BC5E	5PIN WIRE (STROBE -PANEL)	1	
		19	TXJ011BC5E	11PIN WIRE (MAIN -PANEL)	1	
		20	TXJA02BC5E	2PIN WIRE (MAIN-STYLUS)	1	
		21	TXP0137	TONARM ALL ASSY	1	
		21-1	RMH0241-K1	QUEUING KNOB	1	
		21-2	RYQ1630-K1	ARMREST ASSY	1	
		21-3	TZSM04009	ARM REST SCREW KIT	1	
		22	TYL0296	INSULATOR UNIT	4	
		23	XTB3+8JFJK	SCREW	30	
		24	XYN3+J5FJK	SCREW	2	
		25	TZTKK01BC3E	POWER SW KNOB KIT	1	
		26	TZTKF01BC3E	GROUND PLATE WITH TERMINAL	1	
		27	TZTNP01BC3E	STYLUS LIGHT UNIT ASS'Y	1	
	▲	28	TZTKF01BM4E	TOP PANEL ASS'Y	1	RE RB
	▲	28	TZTKF01AK6U	TOP PANEL ASS'Y	1	RP
		29	TZTBY01BC3E	PITCH SLIDER UNIT ASS'Y	1	
	▲	30	TZTKF01BM5E	BOTTOM CABINET ASS'Y	1	RB
	▲	30	TZTKF02BM4E	BOTTOM CABINET ASS'Y	1	RE
	▲	30	TZTKF02AK6U	BOTTOM CABINET ASS'Y	1	RP
		31	XTB3+8JFJ	SCREW	1	
		32	XYN3+C8FJK	SCREW	2	
		33	TKKX51601	PROTECT SHEET	1	
		34	XTN2+10JFJ	SCREW	1	
		35	XQN2+BJ5FJ	SCREW	3	
PACKING MATERIALS						
		P1	TPCE63902	PACKING CASE	1	RE
		P1	TPH0409	PACKING CASE UNIT	1	RB
		P1	TPCE63903	PACKING CASE	1	RP
		P2	TPDA34201	TOP CUSHION	1	
		P3	TPEJ030	PE BAG (450X550MM)	1	
		P4	TPEJ029	PE BAG (600X600MM)	1	
		P5	TPEH915	MIRAMAT SHEET	1	
		P6	TPEH980	PE BAG (MIRAMAT 600X500)	1	
		P7	TPH0284	CUSHION UNIT	1	
		P8	TPDA34211	PICK UP CUSHION	1	
ACCESSORIES						
	▲	A1	K2CM3YY00055	AC CORD	1	RE
	▲	A1	K2CT3YY00096	AC CORD	1	RB
	▲	A1	K2CG3YY00219	AC CORD	1	RP
	▲	A2	TQBM0729	01 (En/Ge/Fr/It/Du/Sp/Sw/Da/Fi/ Po/Ru/Ur)	1	RE
	▲	A2	TQBM0730	01 (En)	1	RB
	▲	A2	TQBM0728	01 (En/Cf)	1	RP
		A3	TAQ0036	SIGNAL AND GND CABLE ASSY	1	
		A4	TPH0339	EP ADAPTER UNIT BLACK	1	

Model No. : SL-1200MK7RP SL-1210MK7RB SL-1210MK7RE Parts List

Change	Safety	Ref. No.	Part No.	Part Name & Description	Q'ty	Remarks
		A5	TTFA0454	DUST COVER UNIT	1	
		A7	TYL0295	BALANCE WEIGHT ASSY	1	
		A8	TYL0332	TURNTABLE ASSY	1	RE RB
		A8	TYL0333	TURNTABLE ASSY	1	RP
PRINTED CIRCUIT BOARDS						
		PCB1	TNPA7005AC	MAIN P. C. B.	1	
		PCB2	TNPA7007AA	STYLUS SW P. C. B.	1	
		PCB3	TNPA7008AA	STROBE P. C. B.	1	
		PCB4	TNPA7009AA	SW P. C. B.	1	
		PCB5	TNPA7010AA	PANEL P. C. B.	1	
		PCB6	TNPA7014AA	PHONO OUT P. C. B.	1	
		PCB7	TNPA7015AA	SMPS P. C. B.	1	
		PCB8	TNPA7145AA	PITCH P. C. B.	1	