

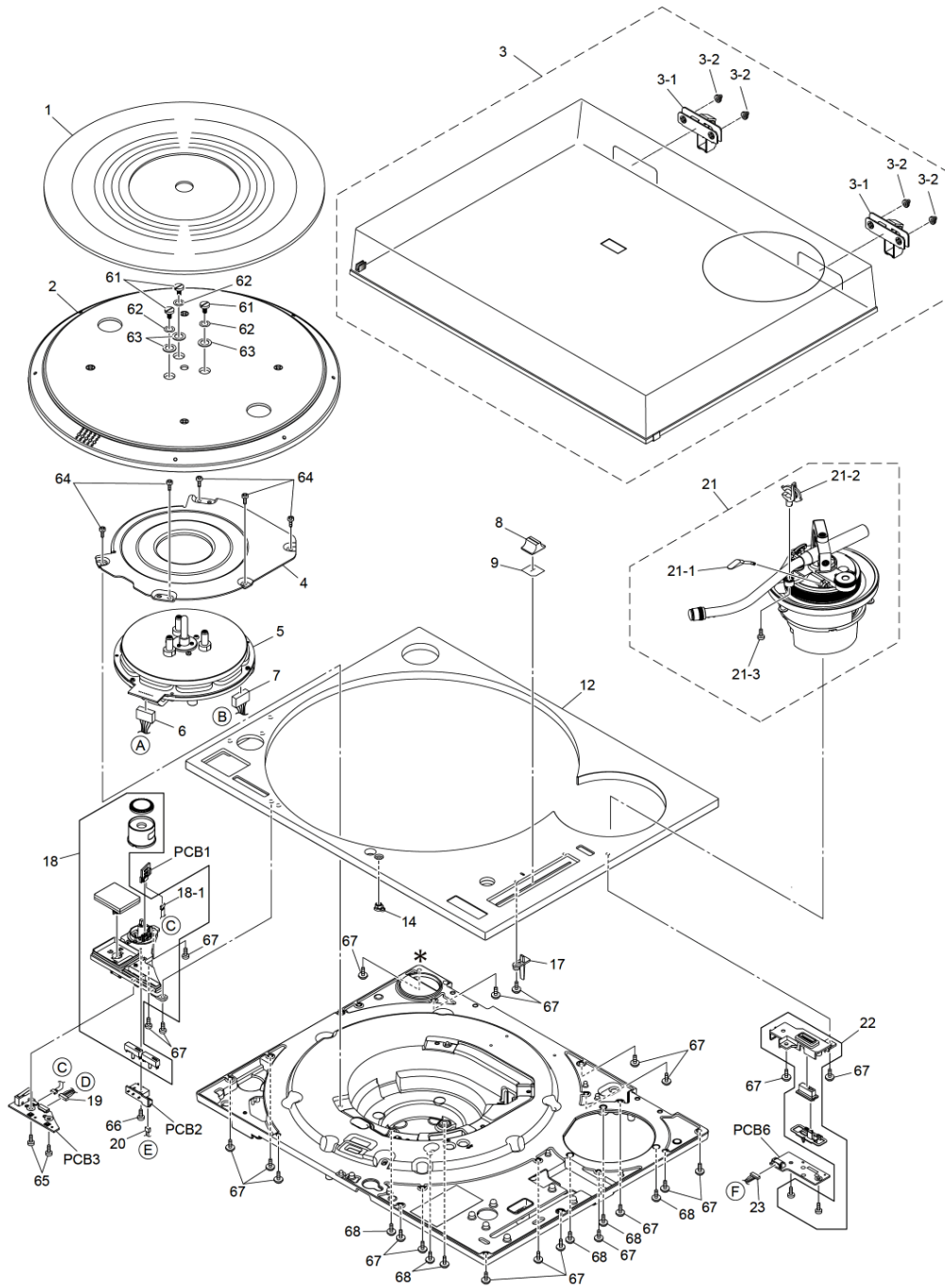
1200S.com

Visit us for all your Technics 1200 / 1210 needs...

Keeping the legend alive!

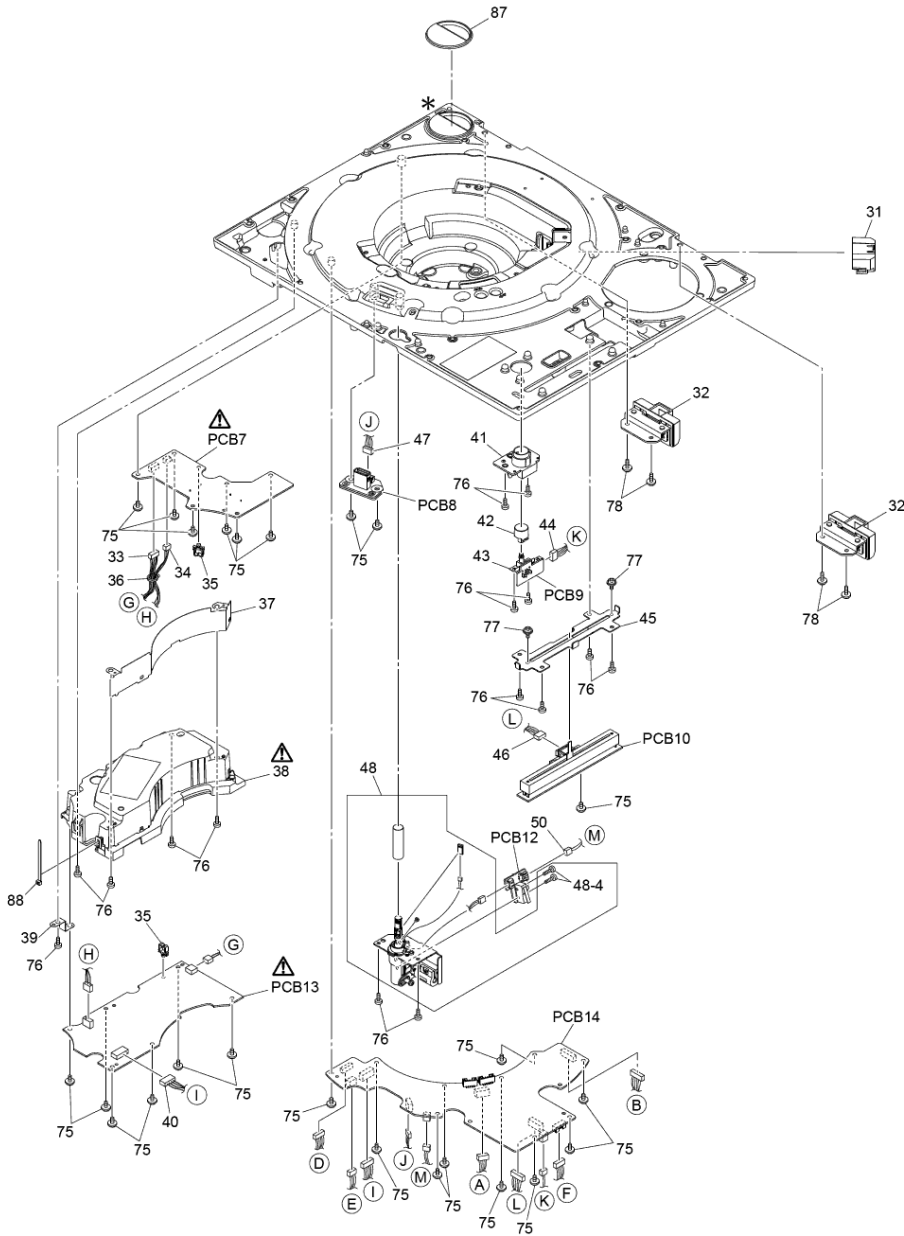
1-833-SL1200S (751-2007)

品番: SL-1210GAEEG /SL-1210GAEPP Exploded View 1



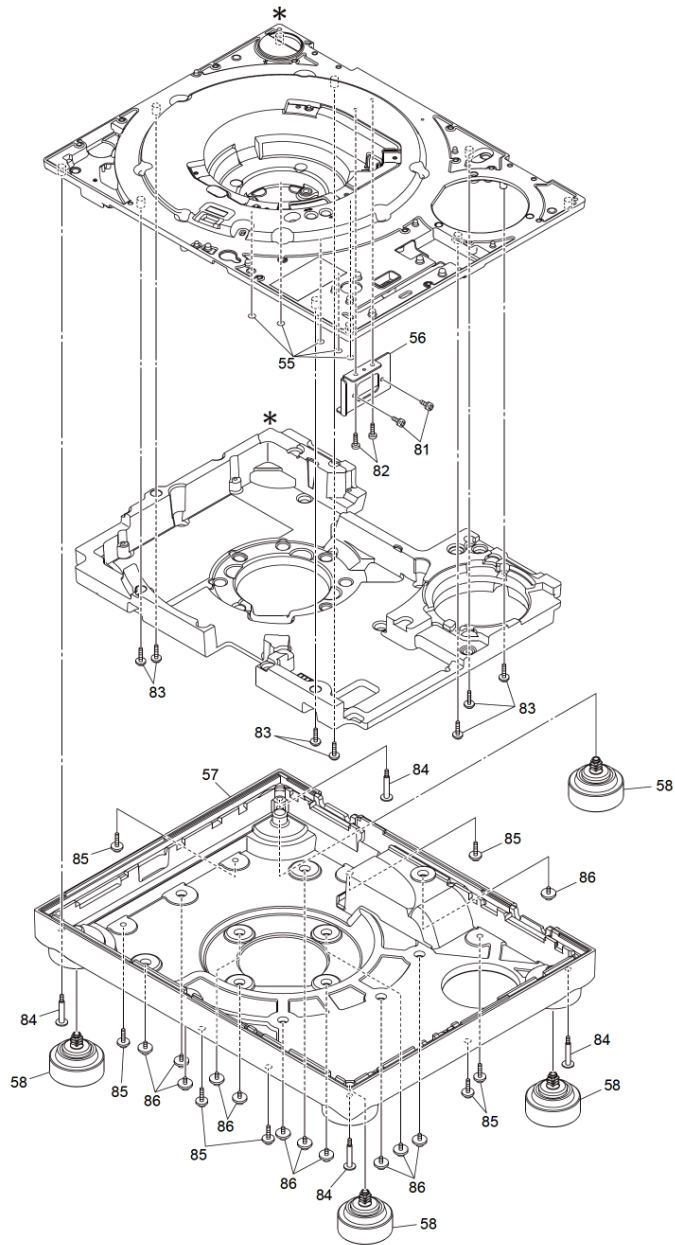
NOTE : * PARTS IS NOT SUPPLIED / REF IS FOR INDICATION ONLY

品番: SL-1210GAEEG /SL-1210GAEPP Exploded View 2

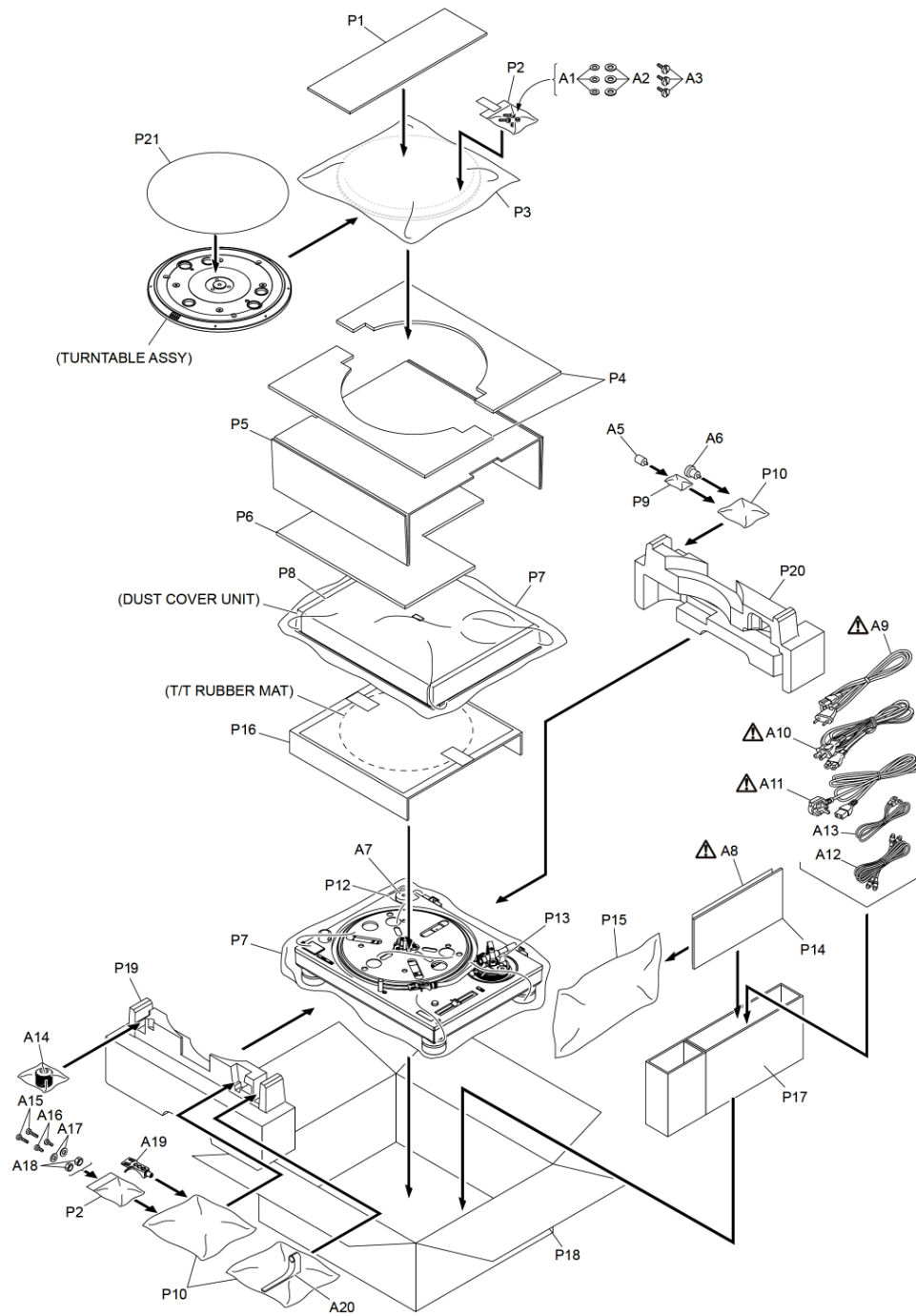


NOTE : " *" PARTS IS NOT SUPPLIED / REF IS FOR INDICATION ONLY

品番: SL-1210GAEEG /SL-1210GAEPP Exploded View 3



NOTE : " *" PARTS IS NOT SUPPLIED / REF IS FOR INDICATION ONLY



Part number: SL-1210GAEEG / SL-1210GAEPP parts list

Changes further	Security Full	Drawing No.	Part name	part number	Part code	Number of members	Standard wholesale price	Manufacturer's suggested retail price	remarks	New parts
		1	RGS0008	T/T RUBBER MAT	1					
		2	RYQ1618-X	TURNTABLE UNIT	1					
		3	RYF1035-Q2	DUST COVER UNIT	1					
		3-1	RXQ2313-1	DUST COVER HINGE UNIT	2					
		3-2	XNA4FFJK	NUT	4					
		4	RGQ0286-S1	MOTOR SHIELD PLATE	1					
		5	TYL0006	DC MOTOR UNIT	1					
		6	REX1939	4P WIRE UNIT (ENCODER TO MAIN)	1					
		7	REX1941	9P WIRE UNIT (MOTOR TO MAIN)	1					
		8	RGW0467-K	PITCH KNOB	1					
		9	RMQ2526	PITCH KNOB SPACER	1					
		12	TYL0490	TOP AL PANEL UNIT	1					
		14	RMQ2533	STYLUS SHAFT GUIDE	1					
		17	RGL0836-Q	PITCH LED LIGHT GUIDE	1					
		18	TYL0439	OPERATION UNIT	1					
		18-1	REX1948	5P WIRE UNIT (STROBE TO PANEL)	1					
		19	REX1942	11P WIRE UNIT (PANEL TO MAIN)	1					
		20	REX1944	2P WIRE UNIT (SWITCH TO MAIN)	1					
		21	TYL0445	STONE ARM UNIT	1					
		21-1	RMH0241-K1	QUEUING KNOB	1					
		21-2	RYQ1630-K	ARMREST UNIT	1					
		21-3	XTB3+8JFJK	SCREW	1					
		22	TYL0438	RANGE BUTTON UNIT	1					
		23	REX1945	5P WIRE UNIT (RANGE BUTTON TO MAIN)	1					
		31	RMQ2532	MOTOR CONN HOLDER	1					
		32	RYQ1617-K	HINGE PLATE UNIT	2					
		33	TXJ / P1AD1E	2P WIRE UNIT B (AC-INLET TO SMPS)	1					
		34	REX1938	2P WIRE UNIT A (AC-INLET TO SMPS)	1					
		35	TMME268	CLAMPER	2					
		36	RMQ2405	VINYL TIE	1					
		37	RMQ2534	SMPS SHIELD	1					
		38	TYL0015	SMPS HOLDER UNIT	1					
		39	RMQ2535	SMPS EARTH PLATE	1					
		40	REX1947	7P WIRE UNIT (SMPS TO MAIN)	1					
		41	RGQ0892-K	RESET BUTTON ORNAMENT	1					
		42	RGU3007-K	RESET BUTTON	1					
		43	RMN1135	RESET SW HOLDER	1					
		44	REX1946	3P WIRE UNIT (RESET BUTTON TO MAIN)	1					
		45	RMN1134	SLIDE SW PLATE	1					
		46	REX1943	6P WIRE UNIT (PITCH CONTROL TO MAIN)	1					
		47	REX1950	4P WIRE UNIT (USB TO MAIN)	1					
		48	TYL0491	STYLUS LIGHT UNIT (WITH LED PCB)	1					
		48-4	XSN2+10FJ	SCREW	2					
		50	REX1940	2P WIRE UNIT (MAIN TO STYLUS SW)	1					
		55	RMQ2573	SCREW COVER	5					
		56	RGQ0285-K	AC HOLDER PLATE	1					
		57	RGP1749-K	BOTTOM COVER	1	1210EG				
		57	RGP1749A-K	BOTTOM COVER	1	1210PP				
		58	TYL0437	INSULATOR UNIT	4					
		61	RHD40060	TURNTABLE FIXATION SCREW	3					
		62	RGQ0907-S	M4 WASHER	3					
		63	RGQ0908-S	DISK SPRING	3					
		64	XTB3+8JFJ	SCREW	5					
		65	XTB3+8JFJK	SCREW	2					
		66	XTN2+10JFJ	SCREW	1					
		67	XYN3+F10FJK	SCREW	22					
		68	RHD30248	SCREW	6					
		75	RHD30111-31	SCREW	24					
		76	XTB3+8JFJK	SCREW	15					

Changes further	Security Full	Drawing No.	Part name	part number	Part code	Number of members	Standard wholesale price	Manufacturer's suggested retail price	remarks	New parts
		77	RHD30225	SCREW	2					
		78	XYN3+F10FJK	SCREW	4					
		81	XYN3+C8FJK	SCREW	2					
		82	XTB3+8JFJK	SCREW	2					
		83	RHD30250	SCREW	7					
		84	RHD30247	SCREW	4					
		85	RHD40059	SCREW	7					
		86	RHD30245	SCREW	12					
		87	TYL0455	CHASSIS COVER	1					
		88	VJF0085	CABLE TIE	1					
		A1	RG00908-S	DISK SPRING	3					
		A2	RG00907-S	M4 WASHER	3					
		A3	RHD40060	TURNTABLE FIXATION SCREW	3					
		A5	TPAKK61	SUB WEIGHTA	1					
		A6	TPAKK62	SUB WEIGHTB	1					
		A7	TBMX5421	EP ADAPTER	1					
	⚠	A8	TQBM0609	OI (GERMAN)	1	1210EG				
	⚠	A8	TQBM0610	OI (ENGLISH/CANADIAN FRENCH)	1	1210PP				
	⚠	A9	K2CS3YY00033	PLUGS WITH CABLE A C POWER SOURCE	1	1210EG				
	⚠	A10	K2CM3YY00041	PLUGS WITH CABLE A C POWER SOURCE	1	1210EG				
	⚠	A10	K2CG3YY00191	PLUGS WITH CABLE A C POWER SOURCE	1	1210PP				
	⚠	A11	K2CT3YY00081	PLUGS WITH CABLE A C POWER SOURCE	1	1210EG				
		A12	K2KYYYY00257	PHONO CABLE	1					
		A13	K4EY1YY00160	EARTH CABLE	1					
		A14	TYL0453	BALANCE WEIGHT UNIT	1					
		A15	RHD26080	CARTRIDGE SCREW 14.5	2					
		A16	RHD26079	CARTRIDGE SCREW 6.5	2					
		A17	RHW26013	CARTRIDGE WASHER	2					
		A18	RHN26006	CARTRIDGE NUT	2					
		A19	TYL0456	SHELL UNIT	1					
		A20	RMR2210-W	OVERHANG GAUGE	1					
		P1	SPQ0067	TOP PATH	1					
		P2	VPF1016	POLY BAG	2					
		P3	SPF0069-1	PROTECT BAG	1					
		P4	SPN0518	TT CUSHION	2					
		P5	SPQ0049	TOP COVER PAD	1					
		P6	SPN0476	TOP COVER CUSHION	1					
		P7	SPF0070-1	PE BAG	2					
		P8	SPH0024	PROTECTION SHEET	1					
		P9	SPF0067	ON THE BAG A	1					
		P10	SPF0068	PE BAG B	3					
		P12	SPH0023	PROTECTION SHEET	1					
		P13	RPQ0608	TONARM PAD	1					
		P14	RPQ2632	PAD	1					
		P15	RPF0687	ON BAG C	1					
		P16	SPQ0050	TT HOLD PAD A	1					
		P17	SPQ0057	ACCESSORIES PAD	1					
		P18	TPCE52601	PACKING CASE	1	1210EG				
		P18	TPCE52601	PACKING CASE	1	1210PP				
		P19	SPN0469A-1	CUSHION (FRONT)	1					
		P20	SPN0469B-1	CUSHION (REAR)	1					
		P21	TPGA8120	TT SHEET	1					
		PCB1	REP5330AC	STROBE PCB	1	E. S. D.				
		PCB2	REP5330AF	SW PCB	1	E. S. D.				
		PCB3	REP5330AA	PANEL PCB	1	E. S. D.				
		PCB6	REP5330AG	RANGE PCB	1	E. S. D.				
	⚠	PCB7	REP5328AA	AC IN PCB	1	E. S. D.				
		PCB8	REP5330AJ	USB CN PCB	1	E. S. D.				
		PCB9	REP5330AE	RESET PCB	1	E. S. D.				
		PCB10	REP5330AB	PITCH PCB	1	E. S. D.				
		PCB12	REP5330AD	STYLUS SW PCB	1	E. S. D.				
	⚠	PCB13	REP5328AB	SMPS PCB	1	E. S. D.				
		PCB14	REP5329B	MAIN PCB	1	E. S. D.				